



RW-E50GA

50 Cup Capacity

Rice Warmer Instruction Manual

This manual contains important information regarding your Adcraft unit. Please read this manual thoroughly prior to equipment set-up, operation, and maintenance. Failure to comply with regular maintenance guidelines outlined in this manual may void the warranty.



IMPORTANT SAFEGUARDS

Please read all the instructions to familiarize yourself with all the parts and operations before use.



- **DO NOT** touch hot surfaces.
 - * High temperature will cause scalding.
 - * Hot water and steam can severely burn skin.
- **DO NOT** use machine with wet hands.
- This product is for **COMMERCIAL USE ONLY**.
- **DO NOT** use this unit for other than intended use.
- Unit is intended to keep cooked rice warm. Unit will not properly warm cold rice and is not intended to reheat rice
- **DO NOT** operate unattended.
- Keep children and animals away from unit.
- **DO NOT** use the unit on or near combustibles.
- **DO NOT** use the unit to boil acid or alkaline foodstuff.
- **DO NOT** store the unit near corrosive gases or damp areas.
- **DO NOT** heat pan on any stove.
- **DO NOT** replace pan with any other container.
- **DO NOT** incline or tilt the pan. Pan must be flat against and in full contact with heating plate.
- **ALWAYS** use on a firm, dry and level surface, at least 12" from walls or any other obstruction.
- **KEEP** heating plate clean and clear of food or debris.
- **DO NOT** immerse unit, cord or plug in liquid at any time.
- Keep cords, plugs, and other electrical components away from liquids to protect against electrical shock.
- **DO NOT** move unit when in use.
- **DO NOT** operate the unit outdoors.
- **DO NOT** operate the unit after it has malfunctioned or been damaged in any way.
- **DO NOT** use unit with a damaged cord or plug, in the event the appliance malfunctions, or has been damaged in any manner.
- **UNPLUG** unit before removing pan from cooker.
 - * **DO NOT** remove pan before unplugging unit, for safety.
- **UNPLUG** the unit when not in use and before cleaning.
- **PROPER GROUNDING REQUIRED.** Plug only into a 3-hole grounded electrical outlet.
- Check that your outlet and voltage are correct for the plug type before operating the unit.
- Any incorrect installation, alterations, adjustments and/or improper maintenance can lead to property loss and injury. All repairs should be done by authorized professionals only.

SPECIFICATIONS	
MODEL	RW-E50GA
DIMENSIONS (INCHES)	18.35" W x 15.7"D x 15.04" H
CAPACITY	50 cups (23L)
UNIT WEIGHT (LBS.)	17.11 lbs.
WATTAGE	110W
AMPS	.96A
VOLTAGE / HERTZ	110-120V~60Hz
PLUG	NEMA 5-15P
CORD LENGTH (IN.)	52.4"
INCLUDED COMPONENTS	Serving Spoon, Fork



TO USE

1. Before initial use, wash and dry inner pot and lid.
2. Plug in and preheat for 30 minutes.
3. Place cooked hot rice in the inner pot and cover.
4. Use caution when handling, as surface will be hot.
5. It is not recommended to keep rice in the warmer for more than 12 hours.

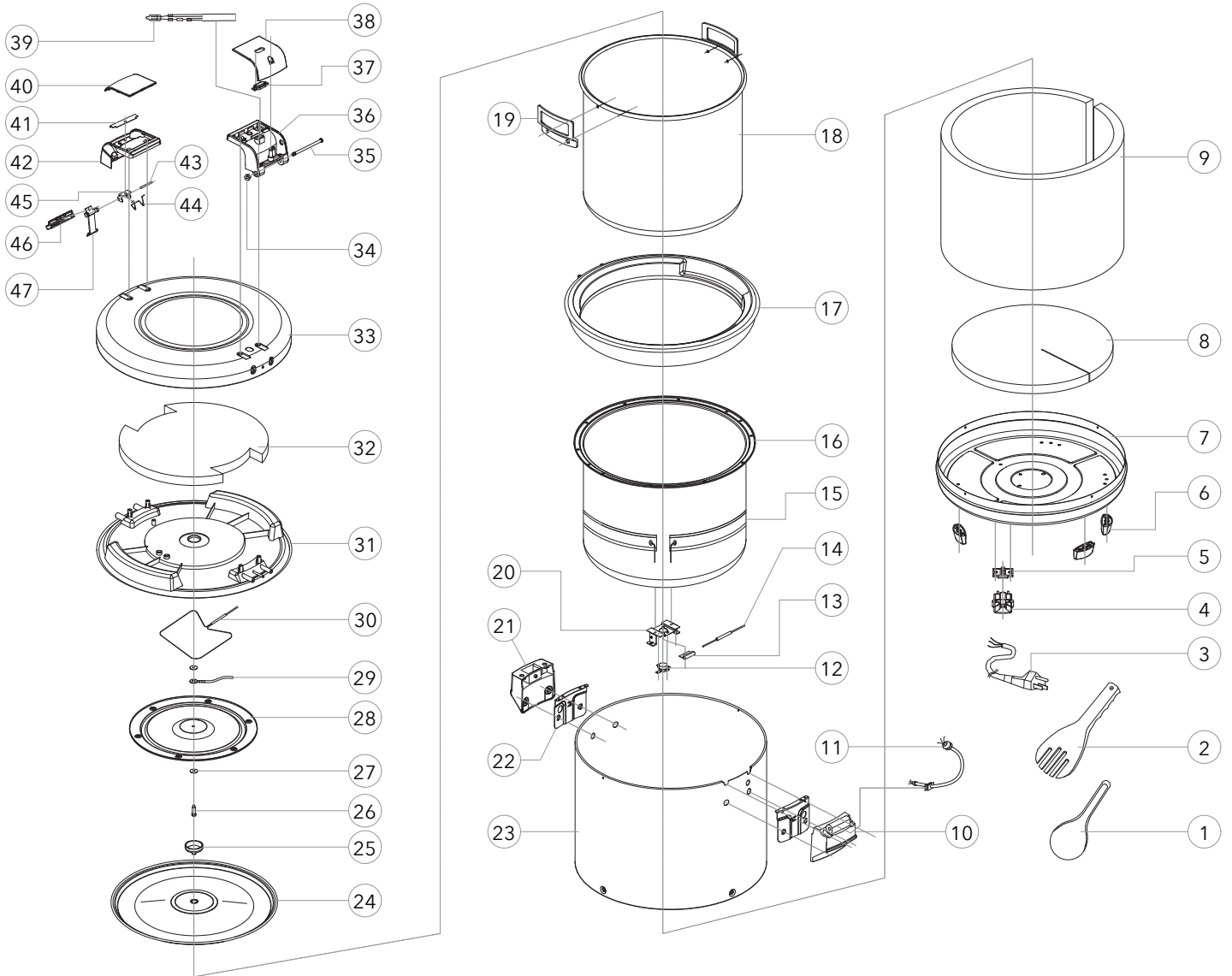
CLEANING:

- NOTE: To maintain cleanliness and increase service life, the rice warmer should be cleaned daily.
 - **DO NOT** immerse the unit in water or any other liquid.
 - * If liquid enters the electrical compartment it may cause a short circuit or electrical shock.
1. Before cleaning or attempting to move, allow warmer to cool down completely then unplug from outlet.
 2. Wipe unit with a damp cloth then wipe dry.
 3. To avoid damage, do not use abrasive cleaners or scouring pads.
 4. If soap or chemical cleaners are used, be sure they are completely rinsed away with clear water immediately after cleaning.
 - * Chemical residue could damage or corrode the surfaces of the unit..

FOOD SAFETY

- IF THE RICE SMELLS BAD, the cause could be one of the following reasons:
 - * Fresh, hot rice is added over and on top of the pre-warmed rice in the warmer for more than recommended time.
 - * Cold or cooled rice is re-heated in the warmer.
 - * The lid is not closed firmly and properly.
 - * The electric power supply is intermittent.
 - * The contents is kept in the warmer beyond the recommended 12 hour time limit.
 - * A spatula or spoon or foreign material is left in the warmer while it is in use.
 - * The inner pot is not clean when it is filled with the cooked rice.
 - * Possible mechanical malfunction, causing extraordinary low temperature.
- THE RICE WILL SHOW A YELLOWISH COLOR, IF;
 - * The rice is kept in the warmer over 12 hours.
 - * There is a mechanical malfunction, causing extra-ordinary high temperature.
- IN EITHER CASE, DO NOT SERVE THE SPOILED FOOD.
 - * Empty, clean, and dry the inner pot and lid thoroughly before you use it again.

EXPLODED PRODUCT DIAGRAM

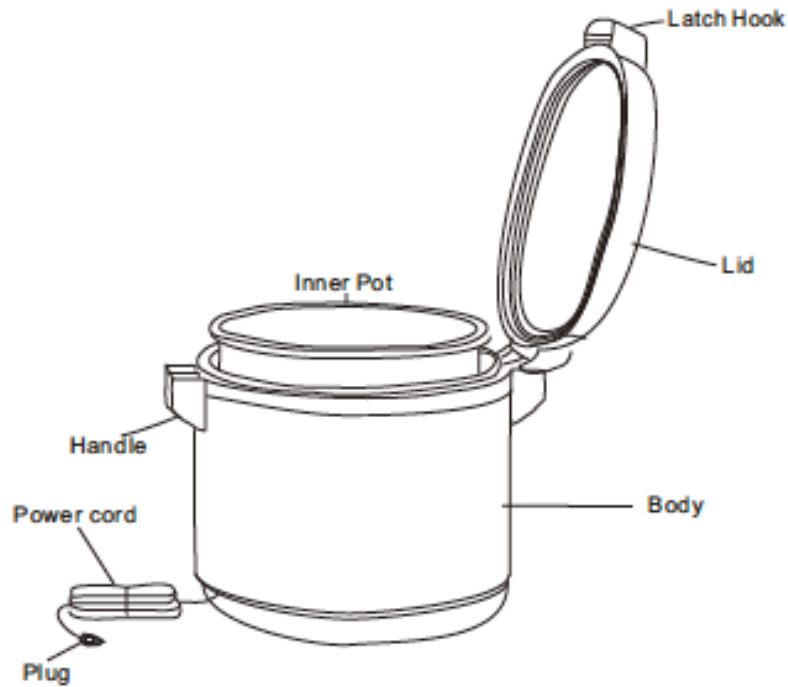




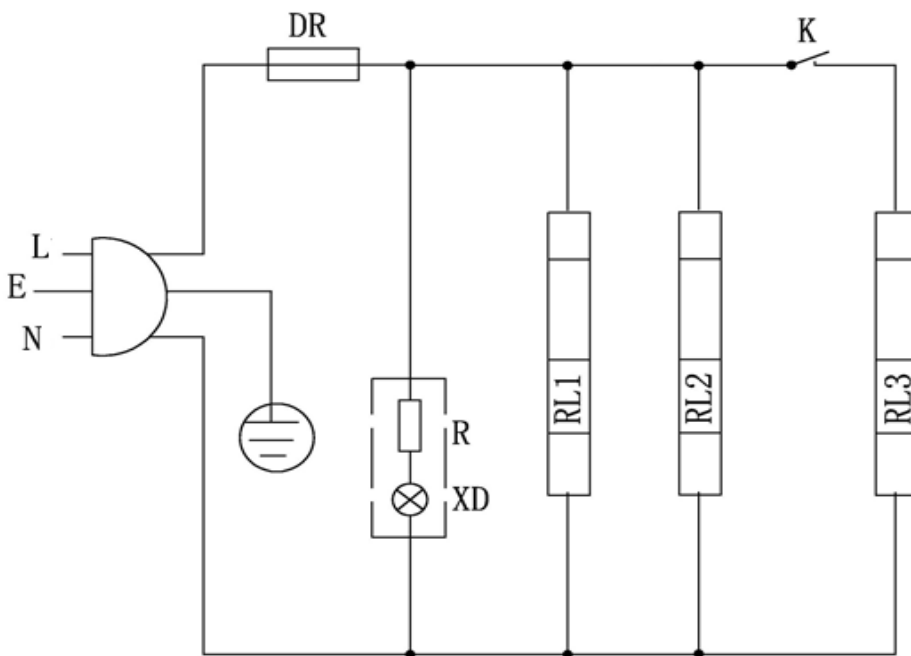
NO.	DESCRIPTION	QTY.
1	Spoon	1
2	Fork	1
3	Power Cord/Plug	1
4	Power Cord Clip	1
5	Power Cord Clip	1
6	Plastic Feet	5
7	Bottom Cover	1
8	Bottom Insulation	1
9	Body Insulation	1
10	Plastic Handle Fixed Frame	1
11	Cord Tube	1
12	TRS Thermostat	1
13	Fuse support	1
14	Fuse	1
15	Bottom Heating Ring	1
16	Inner Liner	1
17	Pot Fixed Ring	1
18	Inner Pot	1
19	Inner Pot Handle	2
20	Thermostat Basket	1
21	Body Fixed Plastic	1
22	Body Fixed Plastic Frame	2
23	Stainless Steel Enclosure	1
24	Inner Cover	1

NO.	DESCRIPTION	QTY.
25	Inner Cover Rubber Gasket	1
26	Inner Cover Bar	1
27	Inner Lid Rubber Gasket	2
28	Inner Top Cover	1
29	Ground Wire	1
30	Top Cover Heating Ring	1
31	Pot Cover Fixed Ring	1
32	Lid Insulation	1
33	Lid/Pot Cover	1
34	Nut	1
35	Screw	1
36	Lid Plastic Fixture Frame	1
37	Light Cover	1
38	Lid Handle Cover	1
39	Indicating Light	1
40	Lid Lock Case Lid	1
41	Lid Lock Pressing Pad	1
42	Lid Lock Case	1
43	Small Shaft Pin	1
44	Lid Spring	1
45	Spring Holder	1
46	Lid Lock Pad	1
47	Lid Lock Board	1

PRODUCT OVERVIEW



CIRCUIT DIAGRAM



NO.	DESCRIPTION
K1	Automatic Power
DR	Over-temperature Fuse
XD	Indicator
R	Resistor
RL1, RL2, RL3	Hot Plate



1-YEAR LIMITED WARRANTY

Admiral Craft Equipment Corp. (the "Company") warrants this product (the "Product") will be free from failures in material and workmanship for one (1) year from the date of original purchase with proof of purchase, provided that the Product is operated and maintained in conformity with the Owner's Manual. This Limited Warranty is non-transferable. During this period, your exclusive remedy is repair or replacement without charge of the Product or any component found to be defective at the Company's discretion. If the Product or any component is no longer available, the Company will replace it with a similar one of equal or greater value. This Limited Warranty is void if the Product is used with incorrect utility supplies including, but not limited to improper voltage, phase, gas pressure, and/or water pressure. **THIS WARRANTY IS IN LIEU OF ALL IMPLIED WARRANTIES, INCLUDING WARRANTIES OF MERCHANTABILITY, FITNESS FOR A PARTICULAR PURPOSE, PERFORMANCE, OR OTHERWISE, WHICH ARE HEREBY EXCLUDED. IN NO EVENT SHALL THE COMPANY BE LIABLE FOR ANY DAMAGES, WHETHER DIRECT, INDIRECT, INCIDENTAL, FORESEEABLE, CONSEQUENTIAL, OR SPECIAL ARISING OUT OF OR IN CONNECTION WITH THIS PRODUCT INCLUDING DAMAGES ARISING FOR FOOD OR BEVERAGE SPOILAGE CLAIMS.**

You may have other legal rights depending upon where you live. Some States or Provinces do not allow limitations on warranties so the foregoing may not apply to you.

WARRANTY EXCLUSIONS

IMPROPER ELECTRICAL CONNECTIONS:

The Company is not responsible for the repair or replacement of failed or damaged components resulting from electrical power failure, the use of extension cords, low voltage, or voltage spikes to the Product.

IMPROPER USAGE:

This Limited Warranty does not cover failure or other damages to the Product resulting from (i) improper usage or installation or failure to clean and/or maintain the Product as set forth in the Owner's Manual; or (ii) accident, misuse, abuse, negligence, or modification or alteration of the Product.

CONSUMABLES:

This Limited Warranty does not include consumables or wear-and-tear items such as legs, feet, plastic component parts, splash shields, filters, gaskets, and non-stick cooking surfaces.

ADJUSTMENTS & CALIBRATIONS:

Leveling, tightening of fasteners, or utility connections normally associated with the original installation are the responsibility of the dealer, installer, or the end user and not the responsibility of the Company and will not be considered warranty issues.

If you think the Product has failed, or requires service, within its warranty period, please contact the Company's Customer Care Department through our website at: www.admiralcraft.com "Service" --> "Technical Support Request". A receipt proving the original purchase date will be required for all warranty claims, handwritten receipts are not accepted. You may also be required to return the Product for inspection and evaluation. Return shipping costs are not refundable. The Company is not responsible for returns lost in transit.

This Limited Warranty is Valid only in the USA and Canada.